

THIS DRAWING IS UNPUBLISHED.

RELEASED FOR PUBLICATION

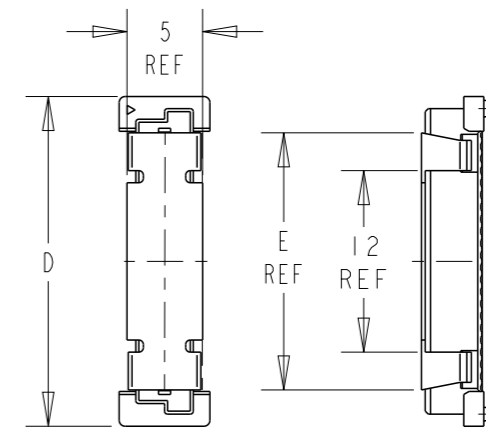
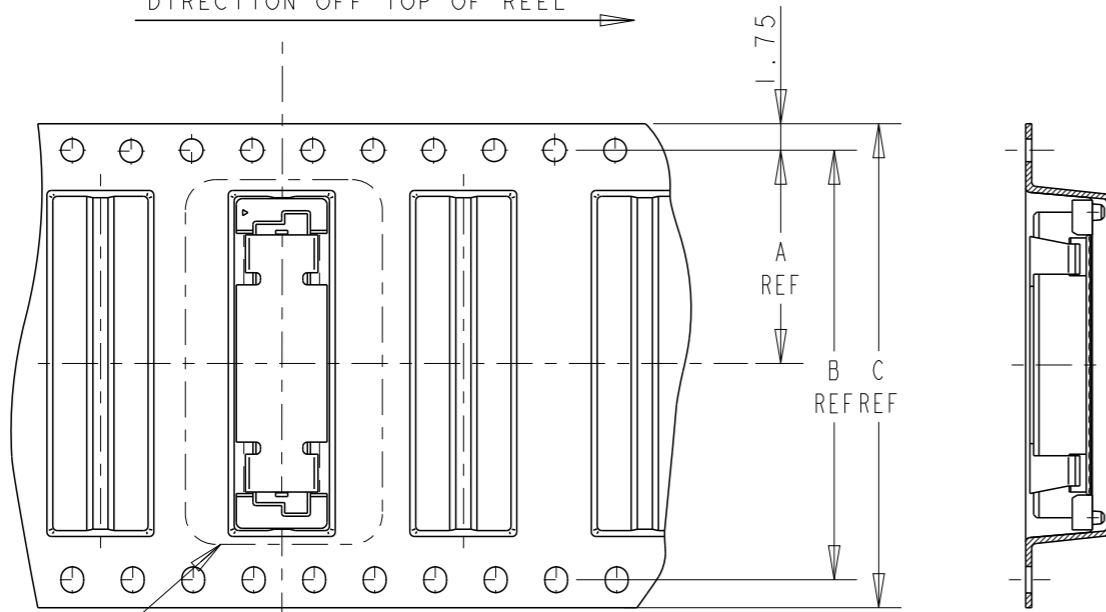
, 19 97 .

© COPYRIGHT 19 97

BY AMP INCORPORATED. ALL RIGHTS RESERVED.

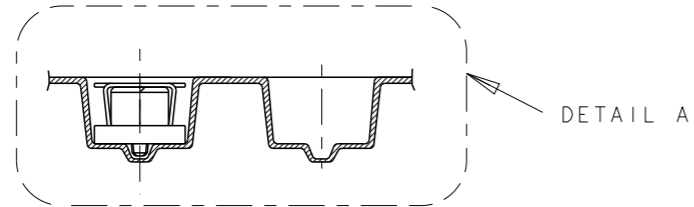
LOC	DIST	REVISIONS					
		P	LTR	DESCRIPTION	DATE	DWN	APVD
DY	-	A2		REVISED PER ECR-13-004900	20MAR13	I.T	S.Y

DIRECTION OFF TOP OF REEL



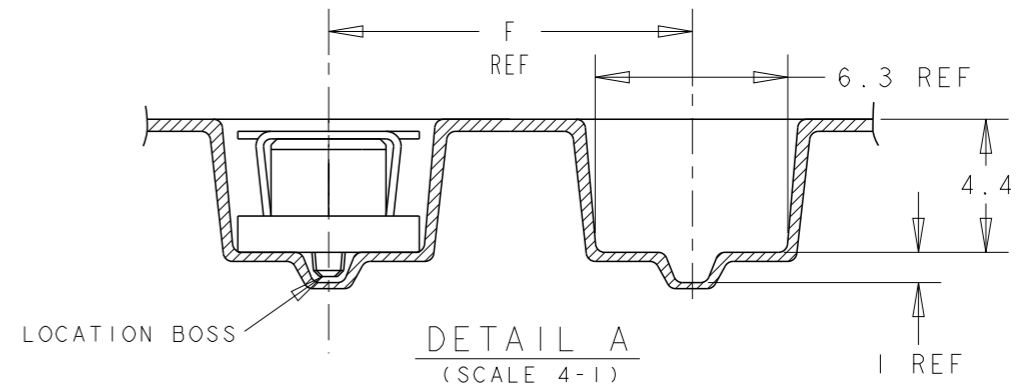
DETAIL B

DETAIL B



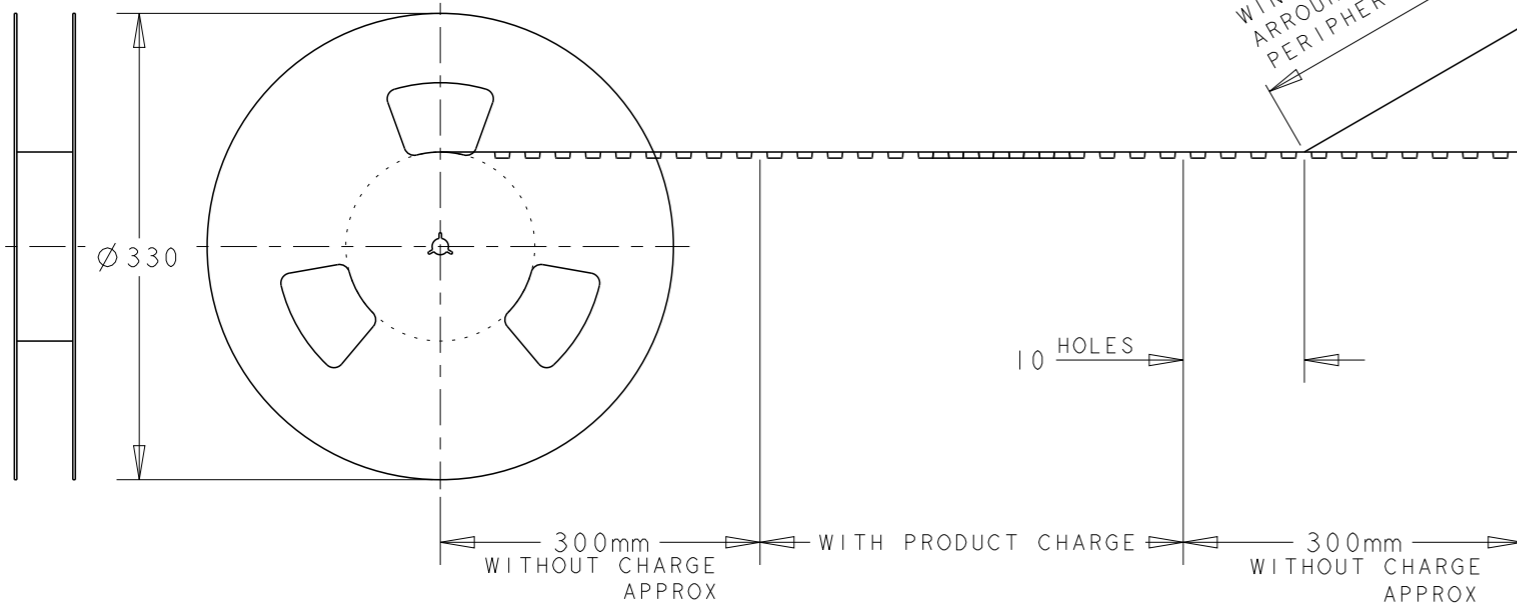
DETAIL A

WINDING THE COVER TAPE AROUND THE OUTER PERIPHERY IN A TURN.



DETAIL A (SCALE 4-1)

LOCATION BOSS



AVAILABLE	700	16	85.8	77.8	69.8	61.8	53.8	45.8	37.8	29.8	1000	12	17	21.8	32	28.4	14.2	40	6123000-1	5353999-1
			↑	↑	↑	↑	↑	↑	↑	↑	↑	↑	↑	↑	↑	↑	↑	↑	↑	↑
			85.8	104	100.4	50.2	200	1-	-0	1-	-0									
			77.8				180		-9		-9									
			69.8				160		-8		-8									
			61.8	88	84.4	42.2	140		-6		-6									
			53.8				120		-5		-5									
			45.8	72	68.4	34.2	100		-4		-4									
			37.8	56	52.4	26.2	80		-3		-3									
			29.8	44	40.4	20.2	60		-2		-2									
			1000	12	17	21.8	32	28.4	14.2	40	6123000-1	5353999-1								
TOOLING STATUS	QTY	F	E	D	C	B	A	POS	CONN P/N	PART NO.										

1 OBSOLETE PARTS: OBSOLETE CIS STREAMLINING PER D.RENAUD/D.SINISI

THIS DRAWING IS A CONTROLLED DOCUMENT FOR AMP INCORPORATED. IT IS SUBJECT TO CHANGE AND THE CONTROLLING ENGINEERING ORGANIZATION SHOULD BE CONTACTED FOR THE LATEST REVISION.

DWN FLORENCE TAN 16SEP04
 CHK ERIC TNG
 APVD SF LEONG
 PRODUCT SPEC 108-5390
 APPLICATION SPEC
 WEIGHT
 MATERIAL
 FINISH

STE TE Connectivity
 NAME EMBOSS ASSY
 FOR FH 0.8BTB CONNECTOR REC 5H
 0.5 BOSS LENGTH (0.76µm GOLD)
 SIZE A3 CAGE CODE 00779 DRAWING NO C-5353999
 CUSTOMER DRAWING SCALE 2-1 SHEET 1 OF 1 REV A2